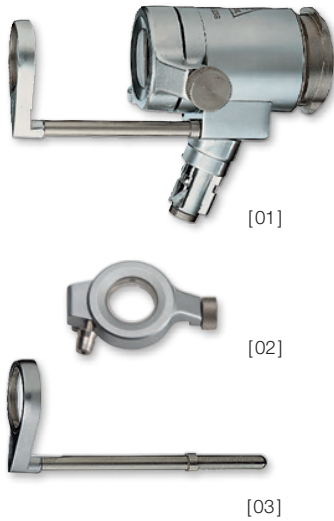


We bring
LIGHT
into
the dark.





Instrument head for HEINE UniSpec® tubes



Illumination by fiber optic cable and projector or 3.5V BETA handle with illumination adaptor see accessories on page 097.

- ∴ **Annular fiber optic illumination.** Bright, reflex-free illumination.
- ∴ **Magnifying lens 1.5x.** High-resolution image.
- ∴ **Hinged viewing window with insufflation port.** Improved vision by insufflation.
- ∴ **Stainless steel.**

Instrument head for UniSpec disposable tubes	
complete with viewing window and swivel lens 1,5x [01]	E-003.18.100
without viewing window and swivel lens	E-003.18.098
Viewing window only [02]	E-003.18.099
Swivel lens 1.5x, only (for sigmoidoscopes) [03]	E-003.18.096
same, but 1.8x (only suitable for proctoscopes and anoscopes)	E-003.19.099

HEINE UniSpec® disposable tubes



85x20mm 130x20mm 250x20mm

- ∴ **Disposable.** No cross-infection.
- ∴ **No cleaning required.** Saves time.
- ∴ **Moulded in patient-friendly thermoplastic.**
No cold sensation on insertion.
- ∴ **Light transmission through the tube wall.** Distal annular light exit.
Bright, homogeneous illumination of the area examined, reflex reduction.
- ∴ **Graduated inside the tube for patient comfort.** Indication of insertion length.

UniSpec disposable anoscopes (85 x 20 mm)	
Pack of 25 disposable anoscopes	E-003.19.925
Box of 100 (4 packs of 25) anoscopes	E-003.19.911

UniSpec disposable proctoscopes (130 x 20 mm)	
Pack of 25 disposable proctoscopes	E-003.19.825
Box of 100 (4 packs of 25) proctoscopes	E-003.19.811

UniSpec disposable sigmoidoscopes (250 x 20 mm)	
Pack of 25 disposable sigmoidoscopes	E-003.18.825
Box of 100 (4 packs of 25) sigmoidoscopes	E-003.18.811

⊗: Single use only.

Hygiene filter



∴ **Disposable hygiene filter** minimises contamination of the double bulb insufflator.

Disposable hygiene filters 25 pcs/pack

E-000.18.116

HEINE illumination adaptor



Can be attached to any HEINE 3.5V power source to illuminate any HEINE fiber optic instrument, e.g. anoscope, proctoscope or sigmoidoscope.

Illumination adaptor

3.5V XHL

Illumination adaptor

X-002.98.002

XHL xenon halogen spare bulb

X-002.88.078